

# BExBG05 Explosion Proof Xenon Beacon 5 Joule

The flameproof BExBG05 Xenon beacons are suitable for Zone 1, 2, 21 & 22 applications. Approved to IECEx, ATEX, Ex EAC and INMETRO standards.

The BExBG05 5 Joule beacons robust construction enables installation in the harshest of environments. Additional features include automatic synchronisation on multi-beacon systems and stainless steel guard and mounting bracket as standard.

The BEx range features enclosures manufactured from corrosion proof, marine grade copper free LM6 aluminium with a chromate and powder coat finish. All models have two M20 cable entries, large termination areas containing in & out terminals and an ingress protection of IP66/67.

## Features

- Marine grade, corrosion proof, LM6 aluminium enclosure
- Automatic synchronisation on multi-beacon system.
- Beacons can be set to 'flip-flop' alternating mode with other units on multi-beacon systems.
- Xenon tubes mechanically secured against shock & vibration
- Glass lens & Stainless Steel guard
- Very large termination area.
- Dual M20 cable entries - adaptors available.
- Stopping plug included.
- Ratchet adjustable stainless steel 'U' bracket.
- Reverse polarity diode fitted.
- IP66/67 ingress protection.
- 120 candela effective light intensity.
- UV stable PC, field replaceable, colour lens filter.

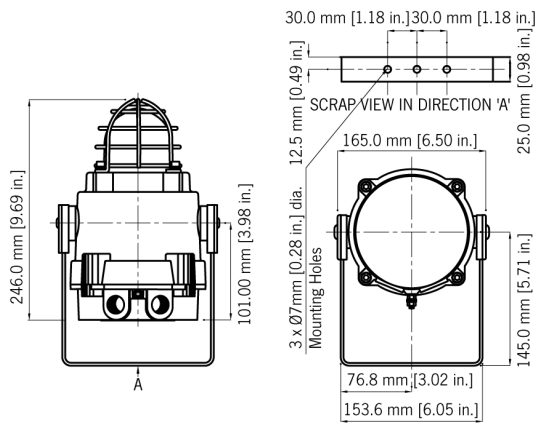
## Approvals

- IECEx KEM 10.0002X  
IEC 60079-0 : 2011  
IEC 60079-1 : 2007-4  
IEC 60079-31 : 2013
- ATEX KEMA 00ATEX2 006X  
EN 60079-0 : 2012 + A11  
EN 60079-1 : 2007  
EN 60079-31 : 2014
- TR-CU Ex EAC certificate: RU C-G.B.AA71.B.00109
- Safety integrity level: SIL2
- Inmetro certificate: 104Ex-0010

## Coding

- II 2G Ex d IIC T5 Gb Ta. -50°C to +45°C
- II 2G Ex d IIC T4 Gb Ta. -50°C to +70°C
- II 2D Ex tb IIIC T90°C Db Ta. -50°C to +40°C
- II 2D Ex tb IIIC T105°C Db Ta. -50°C to +55°C
- II 2D Ex tb IIIC T120°C Db Ta. -50°C to +70°C





## Specification

Energy:	5 Joules (5Ws)
Flash rate:	1Hz (60 fpm)
Peak Candela:	500,000 cd - calculated from energy (J)
Eff. Intensity cd:	250 cd - calculated from energy (J)
Peak Candela:	39,463 cd* - measured ref. to I.E.S.
Eff. Intensity cd:	120 cd* - measured ref. to I.E.S.
Lens colours:	Amber, Blue, Clear, Green, Red & Yellow
Voltages DC:	12vdc; 24vdc; 48vdc
Voltages AC:	115vac; 230vac
Ingress protection:	BG05D : IP66/67 BG05E : IP66
Enclosure matl:	Marine grade copper free LM6 Aluminium
Enclosure finish:	Chromate & powder coated finish - anti-corrosion.
Colour:	RAL3000 Red (others available on request)
Cable entries:	Dual M20 ISO (one stopping plug inc)
Terminals:	0.5 - 2.5mm <sup>2</sup> (20-14 AWG)
Enclosure volume:	<2 litres
Line monitoring:	Blocking diode included EOL Min. 500 Ohm 2w, or 3k3 Ohm 0.5w resistor or diode (DC versions) can be fitted
Grounding stud:	M5
Temperature range:	-50° to +70°C (-58°F to +158°F)
Relative humidity:	90% at 20°C [68°F]
Tube life:	Emissions are reduced to 70% after 8 million flashes
Weight :	DC: 2.45kg/5.39lbs AC: 2.75kg/6.05lbs
Option S1:	SIL2 Compliant versions - contact E2S for technical info.

\*All candela data is representative of performance with clear lens at optimum voltage.

## Part Codes

Version:	Part code:
Product type:	BExBG05 Explosion proof 5J Xenon Beacon
Type:	DP Ex d, UV stable PC Colour Lens
Voltage:	DC012 12V dc DC024 24V dc DC048 48V dc AC115 115V ac AC230 240V ac
Cable Entry Type:[e] A	2 x M20x1.5mm
B	2 x 1/2" NPT - adaptors
C	2 x 3/4" NPT - adaptors
D	2 x M25x1.5mm - adaptors
E	1 x 1/2" NPT - adaptor
F	1 x 3/4" NPT - adaptor
G	1 x M25x1.5mm - adaptor
Note:	M20 stopping plugs for unused entries supplied
Adaptor/Stopping plug material: [m] B	Brass
N	Nickel Plated
S	Stainless Steel
Bracket/guard matl: [s] 1	A2 304 Stainless Steel
2	A4 316 Stainless Steel
3	A2 304 St/St with Equip. Tag
4	A4 316 St/St with Equip. Tag (304)
Product version: [v] A1	Default - IECEx, ATEX, Ex EAC & INMETRO
S1	SIL2 - IECEx, ATEX, Ex EAC & INMETRO : 24Vdc only
Enclosure colour: R	Red RAL3000
[x] S	Special - contact E2S
Lens colour: [y] A	Amber
B	Blue
C	Clear
G	Green
M	Magenta
R	Red
Y	Yellow

## Current Consumption

Version:	Voltage:	Current:
12V dc	10-14V dc	750mA
24V dc	20-28V dc	300mA
48V dc	42-54V dc	180mA
115V ac	50Hz/60Hz +/-10%	140mA
230V ac	50Hz/60Hz +/-10%	55mA

18 Feb 2017